

D

C

B

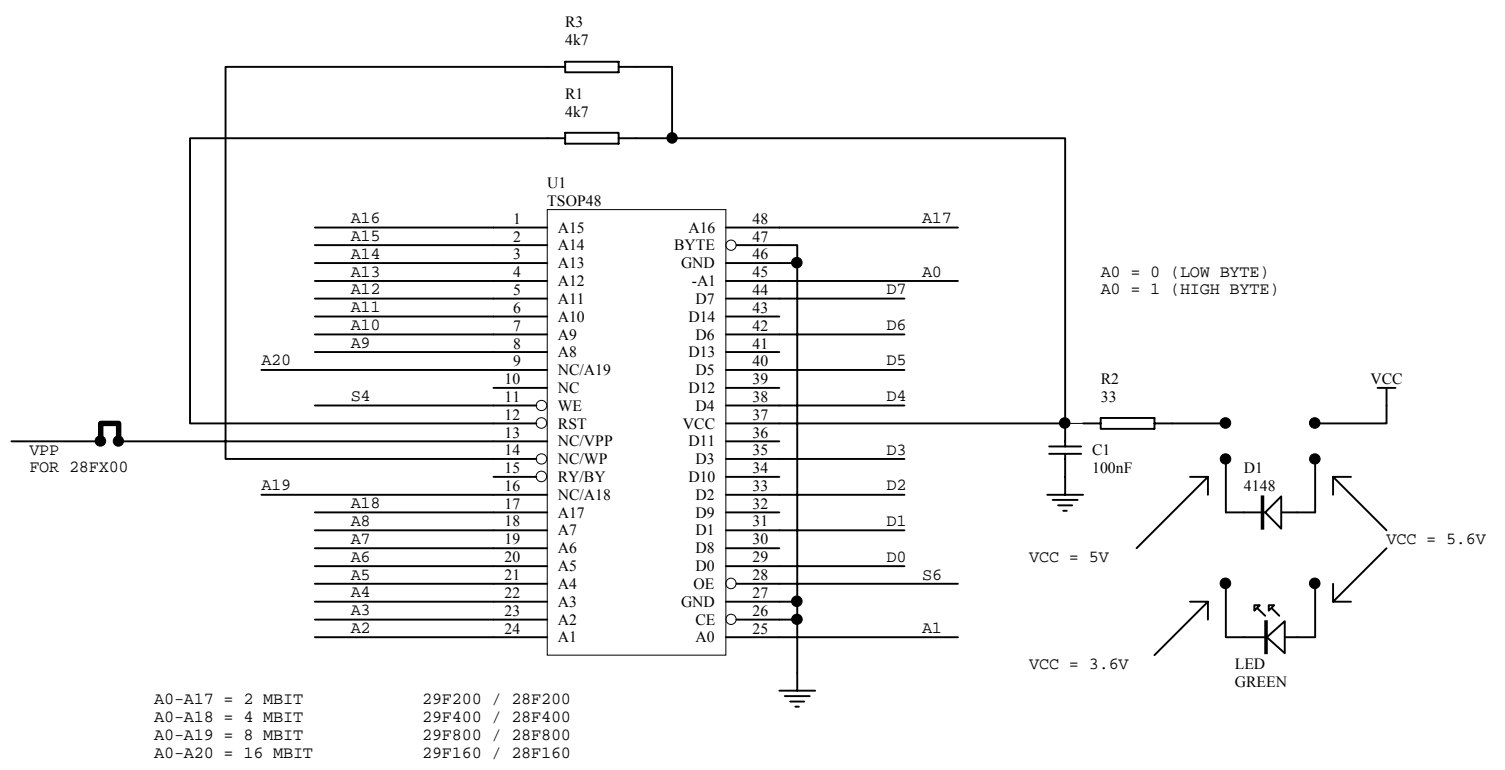
A

D

C

B

A



Title		
Adapter TSOP48 (29Fx00,28Fx00)		
www.geocities.com/mpu51/eprom/eprom.html		
Size	Number	Revision
A4		
Date:	18-Apr-2001	Sheet of
File:	C:\CAD\SCH\TSOP48.S01	Drawn By: